

ACERO/METRO HARDWARE INSTALL INSTRUCTIONS

SIMPLY FOLLOW OUR STEP-BY-STEP INSTRUCTIONS, AND YOUR HIGH-QUALITY DRAPERY HARDWARE WILL SOON BE ENHANCING YOUR HOME OR WORK SPACE FOR MANY YEARS TO COME.

Getting Started:

Please read through all instructions carefully before you begin installation. Open the tube by prying the end open with a screwdriver.

Unpack all materials making sure all components are included:

- Screws
- Pole
- Drapery rings
- Mounting brackets with allen key
- Finials

Please note that your brackets must be securely attached to the mounting surface. If your screws do not hit wood studs you'll have to use a different fastener which can be found at any local hardware store.

Tools You Will Need:

- Drill with a $\frac{1}{8}$ " bit and a phillips bit
- Phillips screwdriver
- Metal tape measure
- Hacksaw (optional)

Installing Your Acero Drapery Hardware:

You are now ready to install your hardware.

1 Measure:

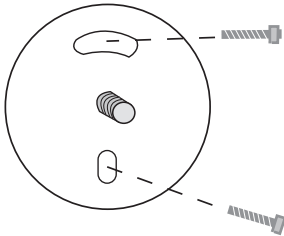
Measure the area you are covering and cut down pole accordingly. Cut with hacksaw.

2 Mark:

Mark the height you would like the top of drapery pole to be installed at. Note: The top of the drapery will hang down approx. 2" from the top of the pole.

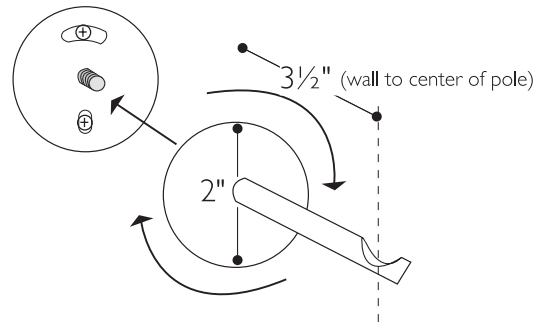
3 Mount:

Take the back plate off the bracket and place top of plate at marked height. Drill in screws through the top and bottom holes for a secure mount. Repeat this process for all other brackets.



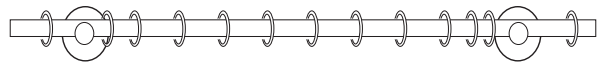
4 Attach Bracket:

Take the bracket and screw it onto the installed back plate, turning by hand in a clockwise direction. Turn until tight. Repeat this process with other brackets.



5 Attach Rings and Pole:

Slide rings onto pole, you may want to leave one ring on the outside of each of the end brackets. Set the pole on the brackets. Use allen key to adjust pin screws on the bracket to secure pole.



6 Attach Finials:

Attach finials to both ends of the pole.

Warranty:

The Shade Store products are covered by a limited lifetime warranty. This warranty covers any defects in materials or workmanship so long as the product is measured and installed according to instructions. Every shade store window treatment is designed to provide trouble-free use. In the unlikely event that warranty service is ever needed, simply contact customer service at install@theshadestore.com or 800-754-1455 for assistance.