



pleated shades

standard control

installation & care instructions






thank you for purchasing from the shade store. simply follow our step-by-step instructions, and your beautiful new shades will soon be enhancing your home or work space for many years to come.




getting started

Carefully unpack your shades and check to make sure you have the following installation parts.

we recommend reading through these instructions before starting the installation

- screws 
- mounting brackets 
- cord cleat 

OPTIONAL*:

- spacer blocks 
- two hold down brackets/pins 
- extension brackets 

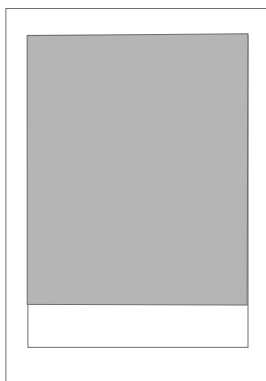
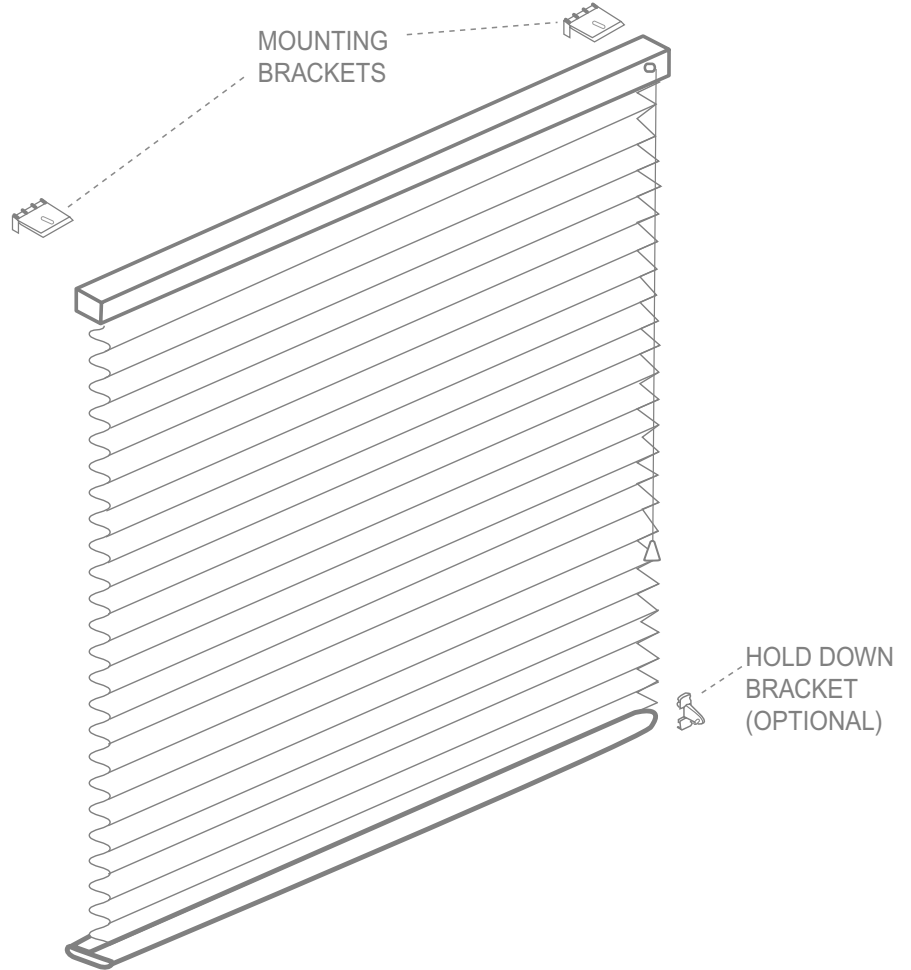
*optional parts have been supplied but are seldom necessary for proper installation.

please note that your brackets must be securely attached to the mounting surface. if your screws do not hit wood studs you'll have to use a different fastener which can be found at any local hardware store.

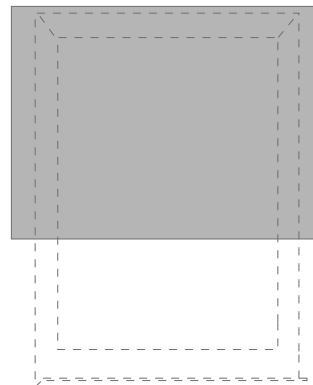
tools you will need

- drill with a 1/8" bit
- a hex head and/or phillips bit
- screwdriver
- metal tape measure

INSTALLING YOUR CELLULAR SHADES (standard control)



INSIDE MOUNT



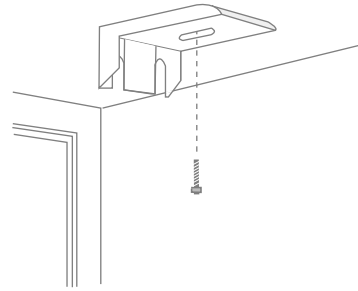
OUTSIDE MOUNT

for assistance, visit our website at www.theshadestore.com or contact customer service:
install@theshadestore.com or call 800.754.1455

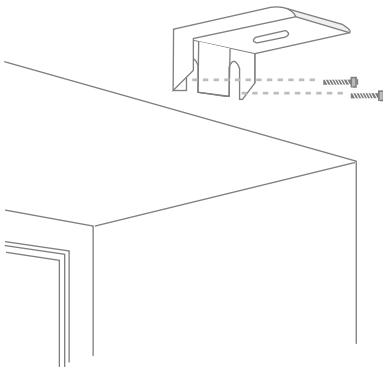
1 bracket installation

bracket spacing is the same for both inside and outside mounts. two mounting brackets are positioned so that their centerlines are 3" from the ends of the shades. if more than two brackets are required, additional brackets have been supplied and are to be spaced evenly between the two end brackets. measure and mark all bracket centerlines.

INSIDE MOUNT: attach the tops of the mounting brackets to the top sill of the window opening. only one screw is needed to attach each bracket in inside mounts. locate the screws on the centerlines you marked and attach the brackets so that their front edges are aligned. proceed to STEP 2

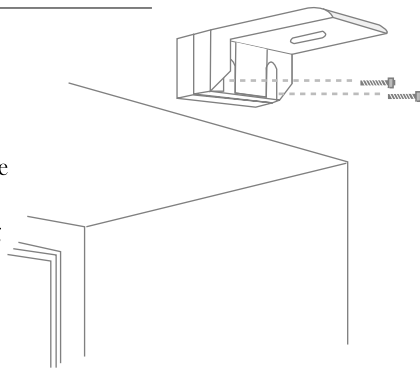


OUTSIDE MOUNT: mount the ends of the mounting brackets on a flat vertical surface at least 5/8" high. two screws are used to attach each bracket. position the brackets on the centerlines you marked and attach them with the appropriate fasteners. the tops of the mounting brackets must be on the same level and parallel to the top of the window opening. if additional projection is required see STEP 1A or STEP 1B



1A SPACER BLOCKS (optional):

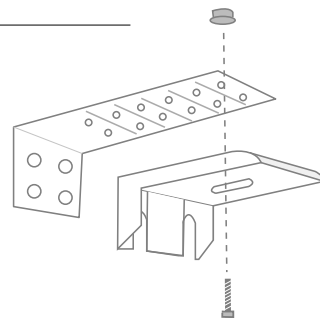
used to project the mounting brackets away from the mounting surface when additional clearance is needed. use a maximum of three blocks, with the solid sides facing the mounting surface. make sure your mounting screws are long enough for a secure installation.



1B EXTENSION BRACKETS (optional):

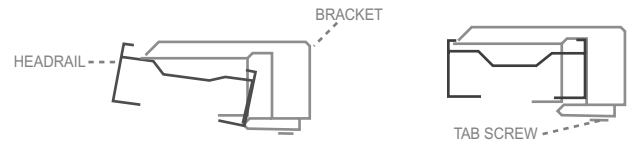
extension brackets can project the mounting brackets up to 2 1/2" from the mounting surface. position the brackets on the centerlines you marked and use screws to attach them. align the tops of the brackets on the same level. connect the mounting brackets with the screws and nuts which are included with each extension bracket. unneeded length of the brackets may be cut off.

this should be done before mounting on the wall.



2 installing the shade

unwind the cord from around the shade assembly and let it hang. with the cordlock facing you, slip the headrail into the mounting brackets. the front lips on the brackets fit into the front groove on the top of the rail. push the rail until it snaps into place.



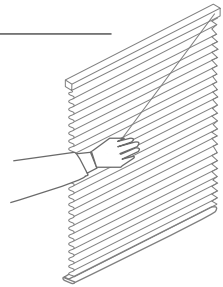
after making sure that no fabric is trapped between the headrail and the tabs on the mounting brackets, use a screwdriver to tighten the tab screw on each bracket until it is just snug. do not over tighten.

2A CORD LOCK OPERATION:

to raise the shade, pull the cord downward in a vertical position.

to lower or release the shade, pull the cord down and toward the center of the shade.

return the cord to the vertical position to lock.



2B SAFETY: INSTALL CORD CLEAT

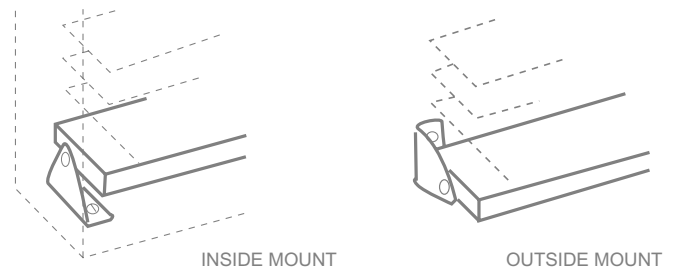
if you have small children, you should install the cord cleat to keep the control cords out of harm's way. simply mount the cord cleat to the wall or window frame next to the shade with the screws provided.

mount the cord cleat at a safe height, taking into account furniture or other objects upon which a child may climb. then, after each use of the shade, simply wrap the excess cord around the cleat. it's fast, easy and safe.



hold down brackets (optional)

hold down brackets are used to keep the bottom of the blind from swaying. (typically used when shade is mounted on a door.) fully extend the blind. insert the brackets/pins into hole on both sides of bottom rail. mark the hole location where the screws are to be inserted. keep the holes at least 1/4" from the edge of the wood to avoid splitting. you may use a 1/16" drill bit to pre-drill. install hold brackets.



care and cleaning

if the shade is dusty, simply vacuum over it using an upholstery attachment. for cleaning soiled spots, we recommend contacting a professional cleaning company.

warranty

the shade store pleated shades are covered by a limited lifetime warranty. this warranty covers any defects in materials or workmanship so long as the product is measured and installed according to instructions. every shade store window treatment is designed to provide trouble-free use. in the unlikely event that warranty service is ever needed, simply contact customer service at install@theshadestore.com or 800-754-1455 for assistance.

www.theshadestore.com

800.754.1455