

ROLLER+SOLAR SHADES WITH METAL VALANCE INSTALL INSTRUCTIONS

SIMPLY FOLLOW OUR STEP-BY-STEP INSTRUCTIONS, AND YOUR BEAUTIFUL NEW SHADES WILL SOON BE ENHANCING YOUR HOME OR WORK SPACE FOR MANY YEARS TO COME.

Getting Started:

Carefully unpack your shades and check to make sure you have the following installation parts. We recommend reading through these instructions before starting the installation.

Parts Included:

- Screws
- Mounting brackets
- Tension Device

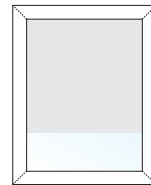
Please note that your brackets must be securely attached to the mounting surface. If your screws do not hit wood studs you'll have to use a different fastener which can be found at any local hardware store.

Tools You Will Need:

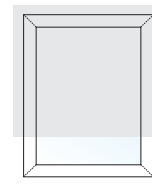
- Drill with a 1/8" bit & a Phillips bit
- Phillips screwdriver
- Metal tape measure

*According to the Window Covering Manufacturers Association Inc., all labels must not be removed from the product.

*To comply with child safety standards, all tension devices must be installed per the installation instructions provided with the device.



INSIDE MOUNT



OUTSIDE MOUNT

1 Select Mount Type:

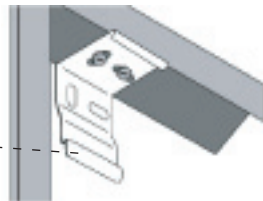
Mount the brackets to the wall or window frame, with the outside brackets no further than 2 inches (5 cm) from the ends of the headrail. On wide shades, space the additional bracket(s) at equal intervals.



Inside Mount:

For inside or ceiling mounts, use the top bracket holes.

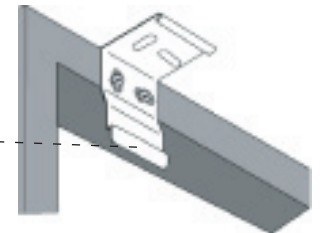
Make sure the release tab is always mounted on the bottom.



Outside Mount:

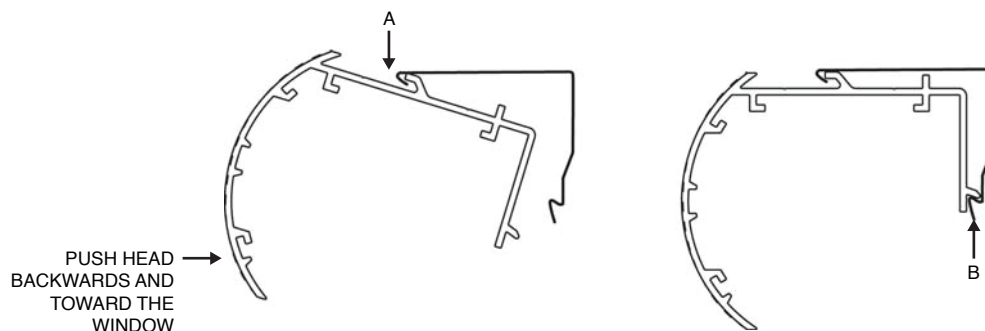
For wall or outside mounts, use the rear bracket holes.

Make sure the release tab is always mounted on the bottom.



2. Mount the Headrail:

Position the headrail with the front panel (A) resting on the top lip of all brackets. push the bottom front of the headrail firmly backwards and toward the window until the lip on the rear of the headrail engages the bracket and snaps into place, (B) as shown.



Please note: Roller shades are not meant to be lowered past the ordered length. The shade will come with additional material that is automatically added in length to conceal the roller tube and to help secure the fabric on the roll. We have attached metal stop balls on the chain to prevent the shade from being raised or lowered past its limits.

ROLLER+SOLAR SHADES WITH METAL VALANCE INSTALL INSTRUCTIONS

SIMPLY FOLLOW OUR STEP-BY-STEP INSTRUCTIONS, AND YOUR BEAUTIFUL NEW SHADES WILL SOON BE ENHANCING YOUR HOME OR WORK SPACE FOR MANY YEARS TO COME (CONTINUED)

3. Installing Tension Device:

Mount Shade In Window: Shade should be mounted as usual.

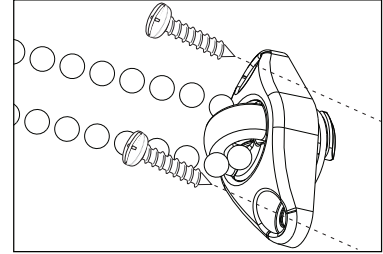
Consider Position of Tension Device: The tension device should be positioned on the window frame or the wall so that the tension device and control cord/chain does not interfere with raising or lowering the shade.

The tension device should be installed so that bead chain is taut without stretching or pulling down on it. Stretching the bead chain will cause excessive wear. Do not twist or cross the control cord/ bead chain.

On inside mount shades the tension device may be mounted to the window sill, or side window frame or when the treatment spans beyond the window frame it may be mounted to the wall.

Install Tension Device: Press and hold the back spring on the tension device that is pre-installed at the top of the continuous loop near the shade mechanism (clutch). With the spring held, slide the device down to the bottom of the loop, to where you would like the device positioned.

Insert and secure the two screws through the holes in the device. The mounting screws must be secured to a solid surface. If installing into sheetrock, be sure to use a wall anchor. The loop should now pass freely through the tension device.



Care and Cleaning:

Minimal care and cleaning is needed to maintain the beauty of your shades. To vacuum: Use a hand held, low suction vacuum.

To dust: Use a soft, clean cloth or a feather duster.

Warranty:

The Shade Store products are covered by a limited lifetime warranty. This warranty covers any defects in materials or workmanship so long as the product is measured and installed according to instructions. Every shade store window treatment is designed to provide trouble-free use. In the unlikely event that warranty service is ever needed, simply contact the Help Desk at help@theshadestore.com or 800-754-1455 for assistance.