

# ADJUSTABLE TRACK SYSTEM INSTALL INSTRUCTIONS

SIMPLY FOLLOW OUR STEP-BY-STEP INSTRUCTIONS, AND YOUR RIPPLE FOLD /CUBICLE TRACK WILL SOON BE ENHANCING YOUR HOME OR WORK SPACE FOR MANY YEARS TO COME.

## Bracket Placement:

- 1 Lay drapery panels flat and measure the distance between the first and last pleat to get bracket width and subtract 5" for center overlap.
- 2 Measure the drapery height and add desired distance from floor to bottom hem for bracket height, and then subtract 3/8" for bracket size.
- 3 Mark bracket width on wall near the top of the windowsill, making sure the marks are evenly spaced from each side of the windowsill.
- 4 Mark bracket height on the wall and move bracket width mark up down until it connects with bracket height.
- 5 Adjust traverse bracket for desired clearance from wall and attach the brackets to wall using two self tapping screws provided. Use wall anchors (sold separately) if wall studs cannot be found.

## Rod and Pulley Placement:

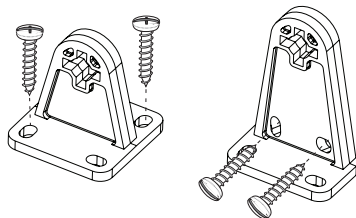
- 6 Extend traverse rod to proper length and place onto the metal holders on the traverse bracket.
- 7 If the rod is over 48" (122cm), mount supports every 4 feet.
  - a. Place the supports over rod and lock by turning cam with screwdriver.
  - b. Place the outside section support over the larger rod and snap in and (if needed) place the inside section support over the smaller rod and snap in.
- 8 If you want to change the cord to the left side, pull the excess cord through the rod to the left side, and move the right master to the end of the rod. Hold the cords taught and slide the left master to the left end, and loop the cord under the "locking" finger.

## Installing Tension Device (Continuous Control):

9. **Install Mounting Bracket:** Determine which direction the mounting bracket will face relative to the tension device. Make sure the tension device is snapped into the mounting stand in the correct direction. Before attaching tension device to the base, measure and mark the location in the window where the tension device will be mounted. Mount the base in position without the tension device attached. Position the tension device on the window frame or the wall so that the tension device and control cord/chain does not interfere with the operation of the drapes.

The tension device should be installed so that cord/bead chain is taut without stretching or pulling down on it. Stretching the cord/bead chain will cause excessive wear. Do not twist or cross the control cord/bead chain. Holding the tension device upright, and in position, as shown, insert and secure the two screws through holes in the mounting bracket. The mounting screws must be secured into a solid surface or molly plug.

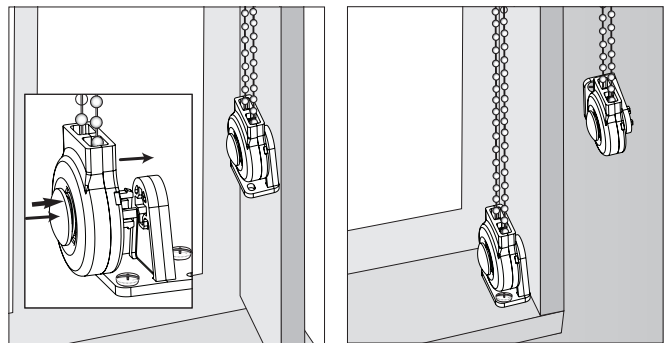
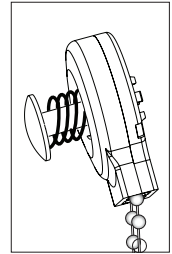
On inside mount shades the tension device may be mounted to the window sill, or side window frame or when the treatment spans beyond the window frame it may be mounted to the wall.



**Mate Tension Device To Mounting Bracket:** Press and hold the button on the tension device that is pre-installed at the top of the continuous loop near the track. Please note: With the button held, slide the device down to the bottom of the loop.

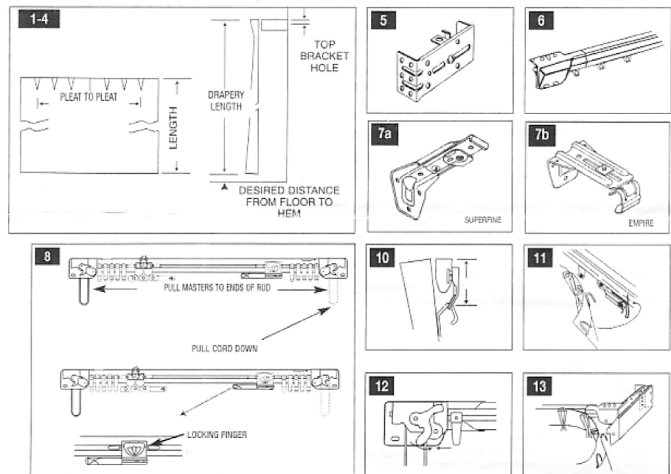
Once the tension device is snapped to the base it is designed not to be removed.

Press center round button exposing the four latching legs and press into the corresponding thru-hole of the mounting bracket stand until the latches snap and lock to the mounting stand. The loop should now pass freely through the Tension Device.



## Hanging the Traverse Draperies:

- 10 Mount pins 1/2" below top of drapery.
- 11 Hook the first pin onto the master slide from behind the arm. Place hooks into the slides starting from the middle, pushing the extra slides to the ends.
- 12 Lift the plastic end gate, remove the extra slides, and close the gate.
- 13 Pin last pleat to hole in pulley housing.



## Parts list:

- |                         |                       |
|-------------------------|-----------------------|
| (1) Traverse Rod        | (2) Traverse Brackets |
| (1) Cord Tension Pulley | Center Support(s)     |
|                         | Self-Tapping Screws   |

# ADJUSTABLE TRACK SYSTEM INSTALL INSTRUCTIONS (continued)

SIMPLY FOLLOW OUR STEP-BY-STEP INSTRUCTIONS, AND YOUR RIPPLE FOLD /CUBICLE TRACK WILL SOON BE ENHANCING YOUR HOME OR WORK SPACE FOR MANY YEARS TO COME.

## To Convert a Two-way Draw to a One-way Draw:

With rod face down, pull rod sections apart, free cord from underlap master and slide master off.

### Cord and Stack on Right:

Reconnect rod sections, then unscrew metal arm on master and move over one hole to the right. Open plastic end gates and move slides to the left rod section.

### Cord and Stack on Left:

Unscrew metal arm on master and reverse direction (pointing to the left). Pull master off rod section and move slides to the right rod section. Place master back into rod and reconnect rod sections. Pull all excess cord through to the left side.

